

The LONGWOOD Letter

May 2008

Volume 2, Issue 5

News For The Residents of Longwood

NatureWatch

by Jim and Lynne Weber

Pollinators: A Flower's Best Friend

With their beautiful colors, interesting shapes, and enticing scents, the main purpose of flowers is to attract pollinators and ensure the reproduction of the flowering plant. A pollinator is the biotic agent that moves pollen from the male parts of a flower (anthers) to the female parts of a flower (stigma) to accomplish fertilization. Why is this so important? Aside from the propagation of native plant species, over 150 grain and fruit food crops depend on this process – without it we would have no almonds, coffee, apples, or chocolate!

While there are some birds, bats, and small mammals (and even a lizard in some parts of the world) that act as pollinators, the vast majority of this job is done by flying insects. The most recognized pollinators are various species of bees, which are clearly adapted to pollination. Their surface is fuzzy and carries an electrostatic charge, and both of these features help pollen grains to adhere to their bodies. Bees often also have structures on their abdomen or legs that have evolved to carry pollen. Honey bees gather both nectar and pollen, using them to nurture their young, inadvertently transferring pollen between flowers as they are working.

Hummingbirds act as pollinators for various species of deep-throated flowers,

a perfect example of how plants fall into different categories called “pollination syndromes.” Each syndrome is defined by a collection of characteristics that attract a certain type of pollinator. Hummingbirds love to visit red flowers with long narrow tubes and lots of nectar, but are not as strongly attracted to wide flowers with little nectar and copious amounts of pollen. Butterfly-pollinated flowers tend to be showy, pink or lavender in color, frequently have a good landing area, and are usually scented. Among the more important moth pollinators are the hawk moths, whose behavior is similar to hummingbirds except that they are nocturnal or crepuscular (active at dawn & dusk). As such, moth-pollinated flowers tend to be white, night-opening, with large blooms that produce a strong, sweet scent in the evening or early morning.

Today, there is alarming evidence that the pollinator population is in decline, threatened by habitat loss, degradation, and fragmentation. When native pollination syndromes are modified by planting non-native and unfamiliar plant species in our yards and public places, pollinator visitation declines. This helps to explain why it is important to the overall health of an ecosystem to not break the natural lifecycle and interrelationships of highly-evolved, coexisting native species by introducing or replacing them with non-native ones.

(Continued on page 2)

Cypress Christian School Chamber Choir wins Gold!

Congratulations to the members of Cypress Christian School Chamber Choir for an excellent performance at the San Antonio Heritage Music Festival. Each choir was rated on a point scale from 0-100. All three adjudicators gave the CCS Chamber Choir scores in the 90s! This qualified the students for a Gold Award. In addition to the scoring, the students received an on-stage clinic with an adjudicator, Dr. Brumley (Director of Shreveport Singers), where he shared valuable choral insight. The CCS Choir was also invited to attend the National Festival of Gold in 2009!



*Don't want to wait
for the mail?*
View the current issue
of the Longwood
Letter on the 1st day
of the month at
www.PEELinc.com

LONGWOOD LETTER

IMPORTANT NUMBERS

EMERGENCY NUMBERS

EMERGENCY.....	911
Fire.....	911
Ambulance.....	911
Constable.....	281-376-3472
Sheriff - Non-emergency.....	713-221-6000
- Burglary & Theft.....	713-967-5770
- Auto Theft.....	281-550-0458
- Homicide/Assault.....	713-967-5810
- Child Abuse.....	713-529-4216
- Sexual Assault/Domestic Violence.....	713-967-5743
- Runaway Unit.....	713-755-7427
Poison Control.....	800-764-7661
Traffic Light Issues.....	713-881-3210

SCHOOLS

Cypress Fairbanks ISD Administration.....	281-897-4000
Cypress Fairbanks ISD Transportation.....	281-897-4380
Cypress Fairbanks Senior High.....	281-897-4600
Goodson Middle School.....	281-373-2350
Hamilton Elementary.....	281-370-0990

OTHER NUMBERS

Animal Control.....	281-999-3191
Cypress Fairbanks Medical Center.....	281-890-4285
Harris County Health Department.....	713-439-6260
Post Office Box Assignment – Cypress.....	1-800-275-8777
Street Lights - CenterPoint Energy.....	713-207-2222
- not working (Report Number on Pole)	
Trash Removal.....	281-446-2030

NEWSLETTER PUBLISHER

Peel, Inc.....	1-888-687-6444
Article Submissions.....	longwoodletter@PEELinc.com
Advertising.....	advertising@PEELinc.com, 1-888-687-6444

DISCLAIMER: Articles and ads in this newsletter express the opinions of their authors and do not necessarily reflect the opinions of Peel, Inc. or its employees. Peel, Inc. is not responsible for the accuracy of any facts stated in articles submitted by others. The publisher also assumes no responsibility for the advertising content with this publication. All warranties and representations made in the advertising content are solely that of the advertiser and any such claims regarding its content should be taken up with the advertiser.

* The publisher assumes no liability with regard to its advertisers for misprints or failure to place advertising in this publication except for the actual cost of such advertising.

* Although every effort is taken to avoid mistakes and/or misprints, the publisher assumes no responsibility for any errors of information or typographical mistakes, except as limited to the cost of advertising as stated above or in the case of misinformation, a printed retraction/correction.

* Under no circumstances shall the publisher be held liable for incidental or consequential damages, inconvenience, loss of business or services, or any other liabilities from failure to publish, or from failure to publish in a timely manner, except as limited to liabilities stated above.

Nature Watch - (Continued from Cover page)

Thanks to the wonderful work of bees, butterflies, birds, and other animal pollinators, flowering plants are able to reproduce and bear fruit, providing many of the foods we eat, the plant materials we and other organisms use, and the natural beauty we see around us. If you are interested in doing your part to create a pollinator-friendly habitat, plan to use a variety of native plants that bloom from spring to fall, eliminate the use of chemical pesticides, include larval host plants to encourage caterpillars, and construct bee condos or man-made nesting blocks. Encouraging pollinators can “bee” a project the whole family can enjoy!

The Longwood Letter is a private publication published by Peel, Inc. It is not sanctioned by any homeowners association or organization, nor is it subject to the approval of any homeowners association or organization, nor is it intended, nor implied to replace any publication that may be published by or on behalf of any homeowners association or organization. At no time will any source be allowed to use the Longwood Letter contents, or loan said contents, to others in anyway, shape or form, nor in any media, website, print, film, e-mail, electrostatic copy, fax, or etc. for the purpose of solicitation, commercial use, or any use for profit, political campaigns, or other self amplification, under penalty of law without written or expressed permission from Peel, Inc. The information in the Longwood Letter is exclusively for the private use of Peel, Inc.

LEGAL SERVICES

Christine K. Lincoln

Attorney at Law



- Divorce
- Adoption
- Premarital and Postmarital Agreements
- Modification of Orders
- Wills
- Health Care Directives
- Collaborative Law

The Lincoln Law Firm PLLC

12777 Jones Road, Suite 475

Houston, TX 77070

(281) 970-9005

www.thelincolnlawfirm.com

Chris@thelincolnlawfirm.com

Lone Star College-CyFair Perspective

“Gianni Schicchi” Now on Stage - Experience opera at Lone Star College-CyFair with “Gianni Schicchi” May 7 through May 9. The third of the trio of operas known as *Il Trittico* by Puccini, Gianni Schicchi is a delightful satire on the deadly sin of greed. For tickets and information call 281-290-5201 or go to CyFair.LoneStar.edu/boxoffice.

Hooray for Hollywood Evening set May 13- Enjoy a musical Hollywood evening at Lone Star College-CyFair as the Jubilee Banjo Band and the All-Stars of Houston, under the direction of Buddy Griffin, help audiences celebrate the greatest music from classic Hollywood films. This group has performed at the Opera House in Galveston every summer for 20 years. The Academy for Lifelong Learning (A.L.L.) at LSC-CyFair hosts this red carpet night with stars from the Silver Screen. For information on this event, call 281-345-9258. For information on the A.L.L. program, call 281-290-5991.

L.I.F.E. Lessons in May - The Learning, Inspiration, Fellowship and Enrichment (L.I.F.E.) programs are free and held Wednesdays at 10 a.m. in the Lone Star College-CyFair Branch Library (Room 131.) In May, programs feature insight into sonography May 7, songs of feathered friends May 14, tracing genetic lineage May 21 and secrets of curry May 28. Call the library at 281-290-3213 for L.I.F.E. program information or go online to CyFair.LoneStar.edu/library.

Teens Driver's Education Available this Summer - Summer driver's education courses for teens ages 15 to 17 are available at 4 p.m. and again at 6 p.m. Monday through Thursdays June 2 through June 26 and July 7 through July 31. The in-classroom driver's education course covers road rules, road signs, and laws to prepare the teens for the Department of Public Safety's written exam. Other topics are car maintenance, effects of drugs and alcohol, laws and penalties for drinking and driving, emergency situations, basic driving procedures, road rage, and insurance. Parents are responsible for the in-car instruction. Students are required to purchase the Texas Traffic Safety Education Student Manual, which is available at the campus bookstore. Call 832-482-1043 for information.

Library Offers Something for Everyone this Summer - The Harris County Public Library Lone Star College-CyFair Branch offers Summer Reading Program for children and adults. The library also offers free computer workshops, including new Undercover Librarian workshop. Topics range from basic computer functions to introductions to the Internet and various software programs. A variety of monthly book clubs are available including mystery, women of the world and sports page. There are plenty of youth programs with activities and book clubs for teens and storytime for younger children. Go online to CyFair.LoneStar.edu/library for information.

Art! Music! Drama!

Summer Camps!

Piano Camps!

Grades K - 5

Will my child like piano lessons?
Try it out with a
Beginning Piano Camp.
If it's a thumbs up,
they'll be off to a great start!



On-line registration & complete listing of camps & locations at
www.CyFairMusicAndArts.com

Kindermusik Camps!

Fairfield, Cypress, Copperfield, Beltway 8

*Babies *Toddlers *Preschoolers *5-7 Year Olds

Singing! Movement! Instruments! Friends! Fun!



Cy-Fair Music & Arts

7103 Glen Chase Ct, 77095

281-855-8855

The Foot Wellness Center

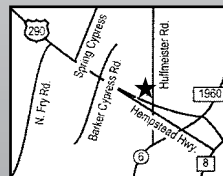


Named one of
HOUSTON'S TOP DOCTORS
by H Texas Magazine

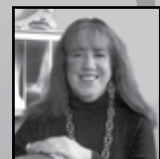
- Bunions • Hammertoes • Heal Pain
- Ingrown Nails • Corns, Calluses
- Injuries • Sport Injuries • Children
- Diabetic Foot Care • Orthotics
- Fractures of the Foot & Ankle

Have No Insurance?
We Will Work
With You!

- 3D State-of-the art Walking Analysis
- Certified in Endoscopic Heel Surgery, Ossatron Non-Invasive Heel Spur Surgery, & Laser Surgery For Warts
- Alternative Medicine



North Cypress Medical Center
21216 N.W. Frwy., Ste. 240
281-955-5500



Dr. Judith E. Rubin,
Podiatrist/Foot Specialist

- * Diplomate, American Board of Podiatric Surgery
- * Board Certified in Foot & Ankle Surgery
- * Fellow American College of Foot & Ankle Surgery
- * Certified Wellness Educator

www.DrRubinFootWellness.com
Serving the Houston Area 24 Years

LONGWOOD LETTER

Cy-Ridge Juniors !!! After Prom Update – RAP '09

RAP '09 met at Pizza Factory at Little York and Eldridge in February and March. We discussed the plans for giving out RAP bucks. The talk centered around how many RAP Bucks would be given for each event, activity or fundraiser and how to give out the RAP bucks at the After Prom Party. We now have a table that lists the points to be given and our record keeper will make sure all points are recorded for each student.

Some parents in the group have been involved since day one of our kid's freshman year. Others joined in later years. But, the sad fact is that we have about a dozen volunteers right now. These few people will raise the money so that all of our kids can have fun, win great prizes and take home some awesome free stuff!! That event will cost a bunch of money!!! And it will depend on corporate donations and student and parent involvement. Please think about participating.

Class of 2009 has set the date for the Prom. Of course, the After Prom Party will be that evening. We have 1 year to pull everything together. Please visit us online to see where we can use your talents to help out. If you, your child or your spouse can help with any of these ideas, please send one of us an email or give us a call. If you can help one time, ten times, every month or every week, we would like to meet you.

Here's how you can help:

Do you work for a Retail Giant?

Do you work for Best Buy, Bed, Bath and Beyond, WalMart, Target, Hallmark, Sears or any retail giant? You can help RAP get gifts for our raffle and gift give-away, if you are given an employee discount when purchasing items from your employer.

Web Site:

<http://schools.cfid.net/cyridge/home.stm>

Click on Student Life, then RAP '09

Contacts:

Leslie Peard – President – 281-894-6905

Joe Johnson- Vice President

Linda Johnson – Treasurer

Ali Andrews - Secretary

Sheila Schlesener – Communications

– 713-854-4757

OR CyRidgeProjectProm@sbcglobal.net

Check the web for

END-OF-THE-YEAR POOL PARTY info.....

DUPREE | LAW FIRM

ATTORNEY AND COUNSELOR, PLLC



832-220-8108 *Full-service law firm providing professional service to families and small business owners in Cypress, Tomball and Jersey Village*

FAMILY PRACTICE:
DIVORCE
CUSTODY
ADOPTION

ESTATE PLANNING PRACTICE:
HEALTHCARE DIRECTIVES
WILLS
TRUSTS

SMALL BUSINESS GROUP:
CHOICE OF ENTITY CONSULTING
INCORPORATION
CONTRACT DRAFTING AND REVIEW

Convenient location with plenty of parking. Flexible hours and appointments.

R. Edward Dupree
Attorney at Law

www.dupreelawfirm.com

DUPREE LAW FIRM
ATTORNEY AND COUNSELOR, PLLC
CHASEWOOD ONE
20333 State Highway 249
Suite 200-103
Houston, TX 77070

Cypress Computers

- **FREE** House Calls & **FREE** Estimates
- On-site Service
- **FREE** Pick & Drop
- Virus & Spyware Removal
- Data Recovery
- System Crash Recovery
- DSL Setup & Networking
- Software & Hardware Installation
- Desktops & Laptops Sales & Upgrades
- Custom Built & Refurbished Systems Available
- Wireless Internet Setup



We Compete... & Beat All The Prices in Town

5% OFF
with this coupon

Call for Service:
832-643-4859
www.cypresscomputers.com

13050 Louetta @ Grant, Ste 208 - 281-257-0005
12303 N. Elderidge @ Cypress N. Houston, Ste E - 281-469-6355



Since 1971, Boys and Girls Country has provided a Home for over 1,200 boys and girls between the ages of 5 and 18. The children at Boys and Girls Country are just like your children. They want a secure and loving home where they feel safe and cared for, and that is what this Home provides. These boys and girls live in a family setting and attend local schools and churches. They play on sports teams with your children and participate in school drama and church youth activities.

While many of the children come to the Home needing “catch up” in school, there are volunteers in the community who tutor them in the evenings in reading and math to help them build their skills. Because of the extra attention they receive, 60 youth who have graduated from high school while at Boys and Girls Country are now supported by the Home in their College and Career Program. Says Shirley Wright, Executive Director, “the overall goal of the Home is to ensure that our youth become successful adults and contributing members of society, and we have been blessed to see this accomplished.”

Since Boys and Girls Country does not apply for state or federal grants or United Way funding, the Home must raise over \$4 million annually. This is accomplished from individual and corporate donations, special events, and foundation funding.

One of the significant special events held each year is the Spring Festival which will be held at Boys and Girls Country on Roberts Road on Saturday, May 3rd, from 10:00 – 5:00. This is a fun event for all ages of children and adults, and admission is free.

There will be games such as the Bugs Life Obstacle Course, the Amazon Extreme Obstacle Course, and even a hay ride on the ranch. For food there will be a Texas style barbecue along with all kinds of desserts, popcorn, funnel cakes, and ice cream. And then for adults, there will be a great auction where you can bid on a trip to Jamaica, to Montana, or a hunting trip to a ranch near Fredericksburg. People attending Spring Festival will also have the opportunity to visit a cottage and see where the children live.

The goal for Spring Festival is to raise \$400,000 to support the daily needs of the children.

Boys and Girls Country encourages all members of our community to get to know this tremendous resource for families in crisis. Without this Home and the support of our community, the needs of many children in the Houston area would go unmet.

Summer is coming! Secure your low rate now!



GAS & ELECTRICITY



As a resident of **Longwood**, we are offering you an exclusive discount off of our already low electricity rates. Just follow these simple steps to see how much you will save:

1. Visit www.sparkenergy.com
2. Click on “Residential”
3. Enter this promotion code to secure your discount*:
Spark4ULW

* Your discount is automatically reflected in your bill.

At Spark Energy, we automate everything and we pass the savings on to you. The one thing we don’t automate is our great Texas based customer service.

888.SPARK.ON (772.7566)
www.sparkenergy.com

PUCT Certificate #10046
©2008, Spark Energy

LONGWOOD LETTER

Messina Hof Winery Announces the 31st Anniversary Annual Harvest Celebration

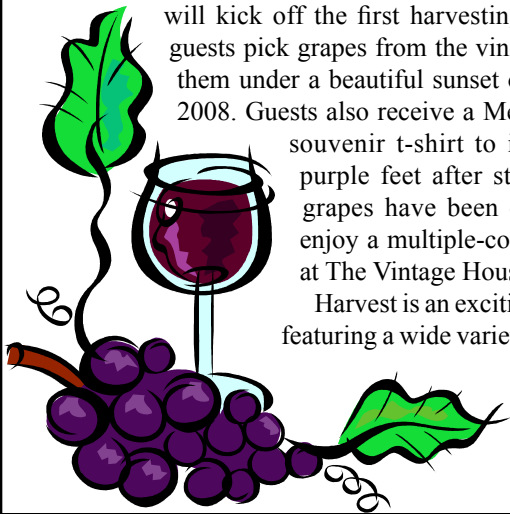
Messina Hof, the fastest growing award-winning winery and resort in Texas, is celebrating their Harvest from July 18 to August 17, 2008, announced Paul and Merrill Bonarrigo, co-founders of Messina Hof Winery & Resort in Bryan, Texas.

Harvest is a time when guests can experience the century-old tradition of making wine by picking and stomping of the grapes. Wine lovers, including special guests and local celebrities, will roll up their sleeves and pants and partake in the first phase of wine making with the Messina Hof Family. After guests hand-pick the grapes straight from the vine, the fun of squashing begins. Not only will they get their feet wet, they will be rewarded for their hard work with a Harvest Cuisine prepared by Award winning culinary team of The Vintage House restaurant.

"Harvest is our favorite time of year here at Messina Hof Winery," said Paul Bonarrigo. "It gives us a chance to share our love of making award-winning wine with people who not only love wine, but love having a good time!"

The second annual Moonlit Harvest will be an enchanted evening not to be forgotten. The romantic evening will kick off the first harvesting of the grapes as guests pick grapes from the vineyards, then stomp them under a beautiful sunset on Friday, July 18, 2008. Guests also receive a Messina Hof Harvest souvenir t-shirt to imprint with their purple feet after stomping. After the grapes have been crushed, they will enjoy a multiple-course special dinner at The Vintage House Restaurant.

Harvest is an exciting five-week event featuring a wide variety of food and wine events including



the Moonlit Harvest, Harvest, Harvest Murder Mystery Dinners, and the Harvest Vintner's Dinner each weekend.

Harvest events in chronological order:

Moonlit Harvest

Friday, July 18, 2008

The second annual "Moonlit Harvest" includes picking and stomping the grapes, a souvenir t-shirt, and a Vineyard Cuisine dinner at The Vintage House.

Harvest

Saturday, July 19, 2008 – Sunday, August 17, 2008

(Saturday and Sunday only)

Murder Mystery Dinners

Saturday, July 21, 2008 – Saturday, August 18, 2008

(All Murder Mystery Dinners begin at 6:30 PM)

Mystery Dinner theme's are as follows:

July 19 - "Pirate Murder Mystery"

July 26 - "Celebrity Celebrations"

August 2 - "Storm Survivors"

August 9 - "Case of the Missing Matchmaker"

August 15 - "Murder on the Mound"

Harvest Vintner's Dinners

Friday, July 25, 2008 – Saturday, August 16, 2008

(All Vintner's Dinners begin at 6:30 PM)

Harvest Vintner's Dinner's are as follows:

July 25

August 1

August 8

August 16 – Grand Finale

Messina Hof Winery is located at 4545 Old Reliance Rd. in Bryan, TX.

Peel, Inc.
Printing & Publishing

Publishing community newsletters since 1991

Kim Moore
Sales Representative
281-373-3807
kim@PEELinc.com

1-888-687-6444 **www.PEELinc.com**



**Support This
Neighborhood
Newsletter.**

*Advertise your business
to your neighbors.*

We Challenge What You Pay For Electricity!

If SparkPowerBank isn't your current electricity provider...chances are you're paying too much!



By Spark  Energy



I'm Texas Energy Analyst Alan Lammey. Maybe you've heard me on the radio talking about the market forces that drive energy prices. I'm here to tell you that you're not stuck paying those high prices to big electric companies anymore! **Stop it.**

Some electric companies talk about "**Simple**" rate plans – that just means it costs you more! Others brag that they'll "**Send you a Rebate**" – that just means you're already paying too much!!

Come to the **Power Bank** – www.SparkPowerBank.com
Why pay more than you have to? Those days are over!

Why would you want to go with an electric provider that charges you more, when you can go to www.sparkpowerbank.com and pay far less for the same electricity?

Make sense?

SparkPowerBank
www.sparkpowerbank.com

By Spark  Energy

SIGN-UP TODAY
Right Online!

Please choose "Newsletter Ad" as your referral on the SparkPowerBank.com website.

LONGWOOD LETTER

Recipe of the Month:



Picante Sauce

1 lb. peppers (bell, banana, & jalapeno; according to how hot you want the sauce; the seeds of the jalapeno peppers add a lot of WARMTH!)

3 onions 3/4 C sugar 3 qts. tomatoes
4-5 cloves garlic 1 C vinegar 2 T salt

Scald tomatoes and peel. Quarter and place in large pot. Chop peppers, onions, and garlic; and mix with tomatoes. Add sugar, vinegar and salt. Simmer slowly several hours until the sauce is the desired consistency.

If you would like to submit YOUR recipe email it to articles@peelinc.com.

Bashans Painting & Home Repair

Commercial/Residential
Free Estimates

281-347-6702



281-731-3383 cell



- Interior & Exterior
- 20 Years Experience
- Hardiplank Installation
- Wood Replacement
- Pressure Washing
- Sheetrock Repair & Texturing
- Cabinet Painting
- Door Refinishing & Replacement
- Wallpaper Removal
- Custom Staining
- Fence Replacement or Repair

**References Available • Fully Insured
NO PAYMENT UNTIL COMPLETION**

bashanspainting@earthlink.net

What You Really Need to Know about Braces

One of the most common questions is: what is the best age to get braces? The American Association of Orthodontics (AAO) recommends that children begin seeing an orthodontist by the age of seven, to address any problems that could benefit from early orthodontic treatment. However, parents often believe that they must wait until all of the baby teeth have been lost. In some cases, the permanent teeth cannot erupt properly; there are no permanent teeth under the baby teeth; or there are bite issues that should be addressed before all the adult teeth come in.

Another misconception with many adults is that they are too old for braces. Over the past 10 years, there has been a dramatic increase in adults undergoing some form of orthodontic treatment (braces, Invisalign, and retainers, to name a few). The idea that losing teeth is part of the aging process is no longer accurate. In fact, getting permanent teeth pulled creates more dental problems over time-- and can compromise the surrounding teeth, gums, and TMJ.

One of the biggest changes in orthodontics is that, in many cases, patients no longer need to have extractions done in order to straighten their teeth. Due to advances in technology of braces, patients with very crowded teeth can still get a beautiful smile, without extractions, in less treatment time than before. In addition, the use of expanders, headgears, and other uncomfortable appliances can be avoided in some cases.

The AAO has an excellent website which addresses many general questions, and provides unbiased information about orthodontics. You can also locate experienced orthodontists in your area. The website is: www.braces.org. A new smile is just around the corner!

Rachael's



handpicked with love



Mother's Day is Sunday May 11th

12312 Barker Cypress @ 290 • 281-256-9800

Don't Be Bugged...Call BUGFREE!

RESIDENTIAL • COMMERCIAL • REAL ESTATE

FREE TERMITE INSPECTIONS Pest Control \$59.95
Mosquito Systems & Refills

281-373-0086 **www.Bugfreetx.com**
sales@bugfreetx.com

"The Bug Stops Here" with Bugfree

NO CONTRACTS

COMPOST & AERATION: Keys to a Healthy Lawn

By David Hunsaker

Compost and Aeration are key ingredients to a healthy, vibrant green turf. The combination of both Compost and Aeration help to improve the lawn's root system, soil compaction and soil composition.

The first key ingredient is Aeration. This is the process of perforating the soil with small holes that allow water, air and fertilizer to get closer to the roots. This enables the roots to grow more deeply producing a healthier, greener turf. The aeration process removes thin, cigar-shaped plugs of dirt and then deposits them on the surface of the lawn. These plugs are left on the lawn in order to get oxygen to the root system.

When lawns are not aerated, air gets squeezed out of the soil and roots cannot grow as efficiently. "The soil under the lawn tends to compact readily because, unlike garden soil, it is virtually never worked or turned.

For the lawn, aerating is the alternative to tilling."*

The second key ingredient is the compost or top soil. Compost is an all natural, organic fertilizer that dispenses nutrients into your soil. The lawn is top dressed with compost after aerating. As it slowly decomposes throughout the year, it leaves you with a strong, green and lush lawn. Compost also has more of a significant amount of additional nutrients than any "brand name" fertilizer you can buy at your local home and garden center.

The process of Aerating and applying compost decreases the soil compaction, allows nutrients into the soil and strengthens your lawn root system during the stresses of summer. Both Aerating and Composting are key factors to a healthy lawn.

* All About Lawns, Ortho Books

Newsletter Article Submissions

Interested in submitting an article? You can do so by emailing longwoodletter@peelinc.com or by going to <http://www.peelinc.com/articleSubmit.php>. All news must be received by the 9th of the month prior to the issue. So if you are involved with a school group, scouts, sports etc – please submit your articles for Longwood Letter. Personal news for the Stork Report, Teenage Job Seekers, special celebrations and military service are also welcome.

Classified Ads

Personal classifieds (one time sell items, such as a used bike...) run at no charge to Longwood residents, limit 30 words, please e-mail longwoodletter@peelinc.com.

Business classifieds (offering a service or product line for profit) are \$50, limit 40 words, please contact Peel, Inc. Sales Office at 512-989-8905 or advertising@PEELinc.com.

Flaherty's Flooring America

Formerly Carpet Masters of Texas New Name. Same Owner. Same Promise.

- ★ Low Price Guarantee
- ★ Lifetime Installation Guarantee
- ★ 30-day Replacement Guarantee
- ★ Five Star Selection System
- ★ Flooring Expertise

13422 Grant Rd. Cypress 77429

281.370.8022

www.flahertysflooring.com

BUY WITH 3 YEARS INTEREST-FREE**

Prior orders exempt. Offer expires 05/31/08. Participating stores only. On select products only. **Financing subject to credit approval. Financing provided by Citifinancial Retail Services Division of Citicorp Trust Bank, f.s.b. Finance charges begin to accrue at the time of purchase. No monthly payments required during the promotional period. Payment of amount financed in full must be received prior to expiration of the promotional period in order for accrued finance charges to be waived. Otherwise, accrued finance charges will be assessed to the account. Standard rate 24% APR. Default rate of 26.99% APR. Minimum finance charge \$.50. See Cardholder Agreement for Details. Store may require minimum purchase and/or deposit. All offers are for retail sales only; no contract/commercial. Unless otherwise indicated, prices are for materials only. Not all merchandise in all stores. Photos are representational only. Actual merchandise may not match photos shown exactly. Although we make every effort to ensure our advertising is accurate, we cannot be held liable for typographical errors or misprints. *Select floors only. Not valid with sale or promotion.

WOOD • CERAMIC • LAMINATE • VINYL • CARPET

Best of the Best

We've chosen the Best
SO YOU SAVE THE MOST!



Our very best floors
in every category...

- Best Styling**
- Best New Arrivals**
- Best Warranty**
- Best Sellers**
- Best Values**

LONGWOOD LETTER

Texas Events - May

2, 4, 9—HOUSTON: Billy Budd Accusations of mutiny and an accidental death leave a sailor in danger of hanging for murder. Houston Grand Opera. www.houstongrandopera.org 713/228-6737

9-11—LEAGUE CITY: Lions Club Village Fair & Texas Music Festival Includes a petting zoo, circus acts, carnival rides, craft vendors and festival foods, highlighted by three days of premiere Texas music. Walter Hall Park. www.lcvillagefair.com

10—LA PORTE: Hard Hat Tour Take a guided tour and see areas rarely seen by the public. Reservations required. Battleship Texas State Historic Site. 281/479-2431

10—PASADENA: Bayou Boil Annual fundraising event includes crayfish boil, silent and live auctions, and demonstrations of turn-of-the-century crafts. Armand Bayou Nature Center. www.abnc.org 281/474-2551

16-17—HUMBLE: Humble Trade Days Find antiques, crafts, collectibles and more. Includes more than 60 booths. Humble Civic Expo Hall. www.humblecc.com 281/446-4140

16-18—PASADENA: 35th Annual Strawberry Festival Features arts & crafts, carnival, barbecue cook-off, beauty pageant, entertainment, children's pavilion, mud volleyball, specialty acts and more. Pasadena Fairgrounds. www.strawberryfest.org 281/991-9500

16-31—BEAUMONT: Promises, Promises Beaumont Community Players presents this heart-rending musical comedy written by Neil Simon with music by Burt Bacharach. 409/833-4664

16-Jun. 1—HOUSTON: Mr. Marmalade This is a grown-up play about playing grown up in which a precocious 4-year-old enacts a wild vision of adult dysfunction as seen through a child's eyes. www.stagestheatre.com 713/527-0123

17—BEAUMONT: 2008 Boomtown Film & Music Festival Showcases local and national music and film talent while cultivating the appreciation of both. Features panel discussions with industry professionals, as well as Indie movie screenings. 409/466-0007

17—GALVESTON: Family Fishing Clinic All the basics will be taught then practiced with hands-on fishing. Galveston Island State Park. 409/737-1222

17—KEMAH: Bay Day The Galveston Bay Foundation presents interactive exhibits, activities and demonstrations to introduce people to the Galveston Bay System. www.kemahboardwalk.com 281/334-9880

17—LAKE JACKSON: Gordon the Grouper's Birthday Party Kids of all ages are invited to explore coastal mystery boxes and make a fish print. Sea Center Texas. www.tpwd.state.tx.us/seacenter 979/292-0100

17—ORANGE: Texas Cajun Heritage Festival Enjoy Cajun music all-day, Cajun crafts and more. City Boat Ramp/Recreation Area. www.orangetexas.org 409/883-1011

17—PORT ARTHUR: Cajun Celebration Jefferson County Singles Club. 409/983-5118

(Continued on page 11)



281-373-4640



PET OF THE MONTH
DENALI

*Luxury Suites, Grooming,
Training, Doggie Daycare*

www.tailsoftexaspetresort.com

17720 Huffmeister Road
Between Skinner and Cypress Rosehill



infants children teens

Joe Pierce, DDS
Pediatric Dentist

281-758-2790 • 281-758-2791 (fax)

13611 Skinner Road, Suite 135
Cypress, TX 77429

(Skinner at Spring Cypress)

joepiercedds@sbcglobal.net

LONGWOOD LETTER

Texas Events - (Continued from page 10)

17-18—HOUSTON: Seventh Annual Country Roots Music Festival Harken back to the roots of "real" country, with juke box covers and original tunes reminiscent of the honky tonk days of Ray Price, Hank Williams Sr. and Patsy Cline. Hours are noon to 4 p.m. Traders Village www.tradersvillage.com 281/890-5500

18—LA PORTE: 18th Annual Monumental Bug Bash Includes bugs, beetles and other Volkswagen vehicles. San Jacinto Battleground State Historic Site. www.bayareavclub.com 713/398-0183 or 281/479-2431

19—HOUSTON: Contrasting Moods: Shostakovich & Bizet Dmitri Shostakovich's introspective Cello Concerto is a stark contrast with Georges Bizet's light and lively Symphony in C Major. Zilkha Hall, Hobby Center for the Performing Arts. 713/315-2525

20—SOUTH PADRE ISLAND: Plaza Suite South Padre Island Convention Center. www.elpaseoarts.com 956/772-9097

20-Jun. 1—HOUSTON: The Drowsy Chaperone Hobby Center for the Performing Arts. www.tuts.com 713/558-TUTS or 888/558-3882

22, 24-25, 30-Jun. 1—HOUSTON: Three Classics, Five Tangos Includes a world premiere by James Kudelka, Falling and Five Tangos. Wortham Theater Center. www.houstonballet.org 713/227-2787

24—HARLINGEN: Cemetery Clean Up Hours are 9 to 11 a.m. Harlingen City Cemetery. 956/216-5302

24—PALACIOS: Palacios Market Days 5th and Main Street. www.palacioschamber.com 800/611-4567

24-25—PORT ARTHUR: S.A.L.T. Fishing Rodeo Fishing tournament includes inshore and offshore and a children's category. Pleasure Island. E-mail: jthompson14@qt.rr.com 409/718-8787

24-26—HOUSTON: Heroes for H.O.P.E. Music & Arts Festival Includes 18-plus live bands/musicians, more than 250 artisans and vendors, games, rides and more. Eleanor Tinsley Park. www.heroesforhope.com 281/768-6007

30-31—BAYTOWN: Little Old Ladies in Tennis Shoes Baytown Little Theater. 281/424-7617

Texas Events has been published with the permission of the Texas Department of Transportation. All events are taken in part from the Texas Events Calendar. All dates for events were correct at the time of publication and are subject to change.



Angels' Attic
Resale Shop

- Clothing
- Furniture
- Toys
- New Jewelry
- Housewares



benefiting
Cypress Assistance Ministries

281-955-7683

Monday-Wednesday 10-6
Thursday-Saturday 10-3

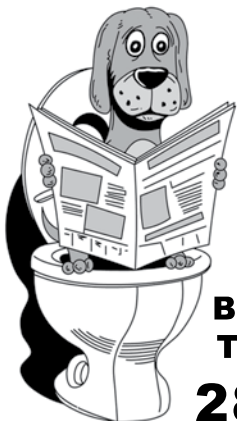
11202 Huffmeister

Donations Welcome
Tax Receipts Given

YARD DOODY

Weekly dog waste removal services

Finally a service that benefits you, your backyard and your little friends at the same time!



- Easy Sign-up
- No Contracts
- Senior Discounts
- Disabled Discounts
- Referral Rewards

Become DOODY-FREE Today! Give us a call:

281-256-2512

Going where your dog has gone before

4th Visit Free!
www.YardDoody.com

Tutoring Club

A Class Above. Guaranteed.™

Tutoring for students of all academic levels, K-12

0% Interest For 12 Months

With Approved Credit



Special Individualized programs for
Math
Reading
Writing
Study Skills
All School Coursework



Summer Camp June - August!!

32 Hour Camp June—August \$1300*

4 - one hour sessions weekly or 2 - two hour session weekly

16 Hour Camp June -August \$750*

2 - one hour sessions weekly

8 Hour Mini-Camp July - August \$375*

2 - one hour sessions weekly

*Price includes assessment, one time registration, & materials

281-373-9200

www.tutoringclub.com

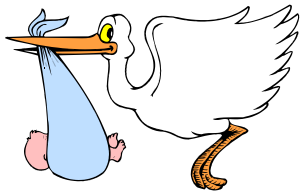
24140 Highway 290 @ Barker Cypress
in front of Randalls

LONGWOOD LETTER

NOT AVAILABLE ONLINE

Stork Report

If you have a new addition to the family please let us know by emailing longwoodletter@peelinc.com and we will include an announcement to let everyone know!



10 Ideas to Help You Get Organized this Spring!

Computer: Examine your desktop for icons or shortcuts you no longer use. Delete those and organize the remaining ones on the desktop in an order that makes sense for how you use them. Then add any extra icons of frequently used programs.

Pantry: On a pantry door, place a clear shoe organizer. It can be a useful place to store gravy/soup/sauce mixes, flavored rice and pasta packs, dry marinades and sauces, Jell-O, extra utensils, spices, or other small items. Shoeboxes are also great to use as inexpensive organizers for small pantry items.

Refrigerator: Before grocery shopping, examine your fridge. Discard any stale food & clean shelves with a damp cloth. Upon return, the new groceries can go right in.

Freezer/Fridge: For food in the freezer/refrigerator, rotate the oldest to the front and newest in back. Use adhesive labels to date items in storage containers.

Laundry: Before putting small articles of clothing into the washing machine, get a few inexpensive mesh bags (used for hosiery) and separate each family member's socks, undergarments, and other small items into them. When washing is complete, these bags can be tossed into the dryer and dropped in everyone's room to put away.

Cleaning Supplies: Use a caddy with a handle to carry around cleaning products (sprays, rags, wipes, sponges) from room to room with ease. Also, items stay in one place and are quick to locate when needed.

Drawers: Use ice-cube trays and empty check boxes as drawer organizers to hold loose coin, pins, buttons, earrings, rubber-bands, etc.

Paper Data: Information on Post-It Notes and business cards with important names, numbers, and addresses should be transferred to your electronic database or address book.

Garage: Use a tall trashcan or umbrella stand for holding long items such as baseball bats, fishing rods, etc.

Games: Use Ziploc bags to store small game pieces, and then put those bags back in their correct boxes.

ADVERTISE HERE
512-989-8905
www.PEELinc.com

PEEL, INC.
PRINTING & PUBLISHING
EST. 1977

Register NOW for summer and fall classes at Lone Star College-CyFair

convenient payment plan ...
weekend, evening, hybrid and
distance learning classes to fit
your schedule.

For schedules
and registration
information,
visit us at
CyFair.LoneStar.edu.



Barker Cypress Campus
9191 Barker Cypress
Cypress, TX 77433

Lone Star College-Fairbanks Center
14955 Northwest Freeway
Houston, TX 77040



Attention KIDS: Send Us Your Masterpiece!

Color the drawing below and mail the finished artwork to us at 203 W. Main Street, Ste. D, Pflugerville, TX 78660. We will select the top few and post their artwork online at www.PEELinc.com. DUE: May 31st

Be sure to include the following so we can let you know!

Name: _____
(first name, last initial)

Email Address: _____ Age: _____

[This information will only be used to notify you or your parents if your artwork was selected.]



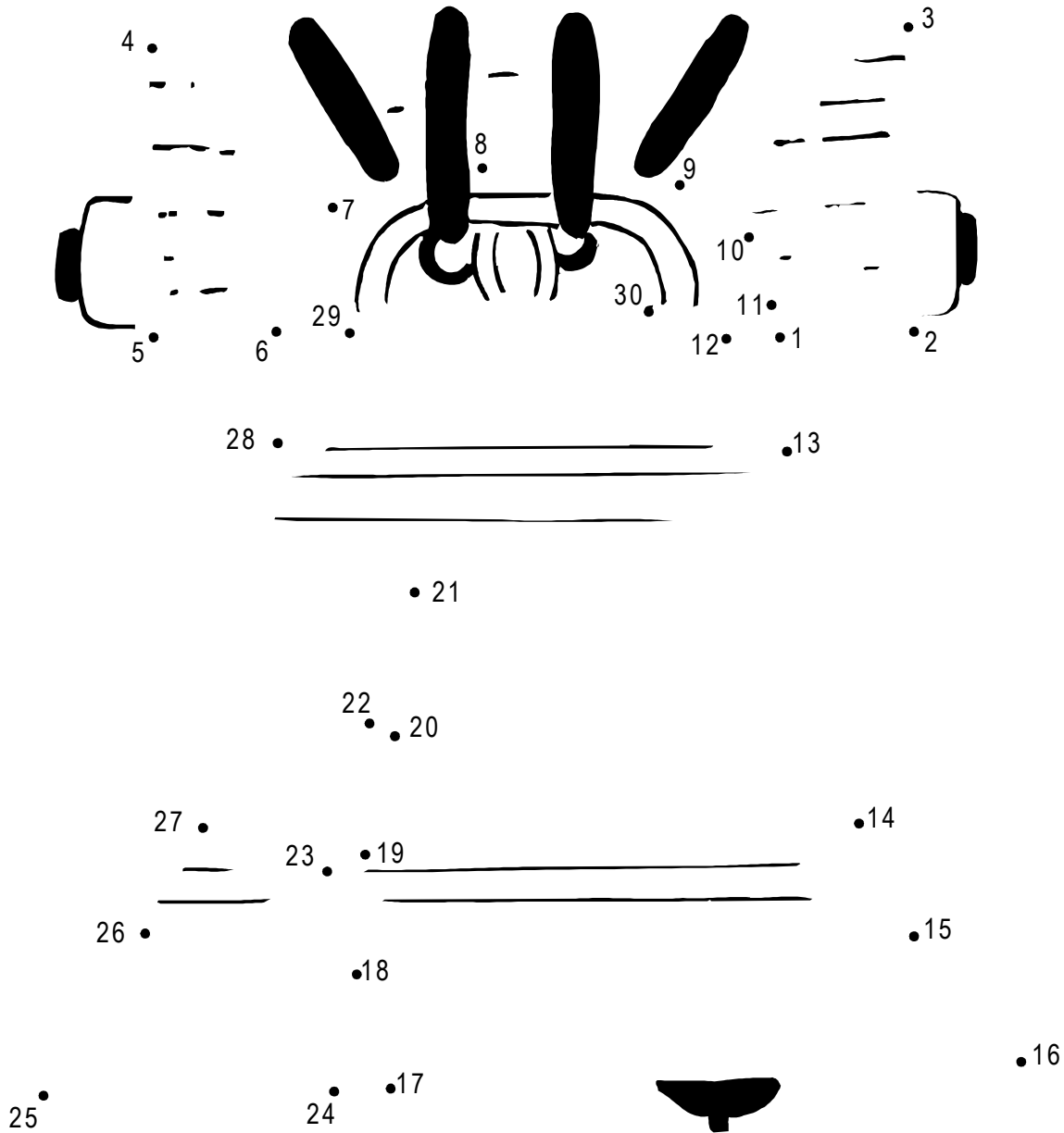
SUMMER IS HERE!

Longwood

Kids Corner

Dot-To-Dot

Connect the dots to find the hidden image.



May Landscaping

By Ron Kerwin

May is a great month to get full usage of our outdoor areas. The morning temps are nice and it has not yet become really hot in the afternoons. Continue to freely plant shrubs, trees, flowers and vegetables. Remember to put down a minimum of 2 inches of new mulch in all your beds. A good layer of mulch keeps the plant roots cooler, helps with weed control, and helps slow the water you apply from evaporating from the root zone.

Water your lawns less frequently and more deeply. Frequent short duration watering leads to shallow root systems. Less frequent longer duration watering leads to deeper root systems. Deeper root systems are more healthy and better for your lawns. They will hold up better in the extreme heat. Our lawns need one inch of water per week. Put out a container with straight sides and catch the water as you irrigate, you can easily measure the result. Two watering times at 1/2 inch each are better than 4 times at 1/4 inch, the water penetrates further and this will force the roots

down to find it. Regular mowing is critical for good lawn health. Mow only the top 1/3 of the total length. Letting the grass grow long and then cutting off more than the 1/3 is damaging to the grass, and makes the mulching process less efficient and less attractive.

There is a new soil disease coming into our area that I was made aware of late last year. It reveals itself in St Augustine grasses. It is not cinch bugs, it is not grubs although it does resemble their grass damages. The grass blades die and fall off the runners. The runners remain in place, but somewhat resemble a cobweb. It is NOT a grass disease, it IS a soil disease. The big chemical companies do have chemicals to treat it. This is a Gulf Coast epidemic that is moving North. Homeowners with no foot traffic and do their own yard work still get it. Its origins are a guess at this point. I am trying to be pro-active and let you know your turf may get the problem& to watch out for it.

Send Us Your Event Pictures!!

Do you have a picture of an event that you would like to run in the Longwood Letter? Send it to us and we will publish it in the next issue. Email the picture to longwoodletter@peelinc.com. Be sure to include the text that you would like to have as the caption. Pictures will appear in color online at www.PEELinc.com.

Advertising Information

Please support the businesses that advertise in the Longwood Letter. If you would like to support the newsletter by advertising, please contact our sales office at 512-989-8905 or advertising@PEELinc.com. The advertising deadline is the 10th of each month for the following issue.



No Payments until April 2009

SMARTSTRAND.
made with DuPont™ Sorona® polymer

ON SALE !

**New Styles
Now Available!**

**LIFE Happens, Think SMART
THINK SMARTSTRAND Carpet**

(281)256-3333

25813 Highway 290, Cypress, TX 77429

(Located in the Target shopping center)



Longwood

A Golf Course Community

Dan & Cindy Boutwell

#1 in Longwood Sales
Since 2003



Dan 281-468-2853 danboutwell@dan-cindy.com
Cindy 281-797-3590 Cindy@dan-cindy.com

LONGWOOD homes we Sold in MARCH.

If you are thinking of Selling, We not only List your home but ADVERTISE to BUYERS looking for Longwood Homes



13907 Conway March 2008



14719 Townsend, March 2008
Sold in 2 weeks



13411 Crosslyn March 2008



12215 Preece Ct Mar 2008



13819 Kellerton March 2008
Sold in 2 Weeks



11602 Breckan March 2008

More Homes get SOLD on
www.LONGWOOD-NEIGHBORS.com

Peel, Inc.

203 W. Main Street, Suite D
Pflugerville, Texas 78660

PRSR STD
U.S. POSTAGE
PAID
PEEL, INC.

☎ Voice 512-989-8905

🌐 www.PEELinc.com

LW